

# 4K Smart Dual Light HDCVI Fixed-focal Eyeball Camera

## HDOD-EL8IR28AF



- Max. 15 fps@4K.
- 120 dB true WDR, 3D NR.
- Smart Dual Light.
- 20 m illumination distance.
- Super Adapt.
- Built-in MIC.
- 2.8 mm fixed lens.
- CVI/CVBS/AHD/TVI switchable.
- IP67, 12 VDC.

### Accessories

Optional:

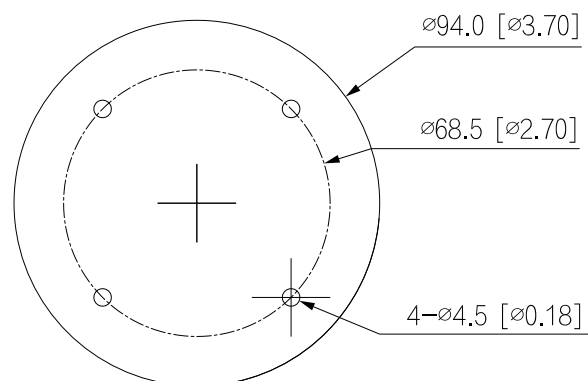
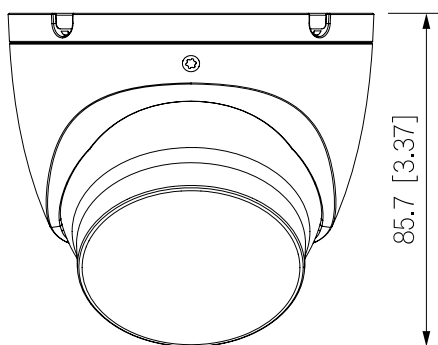


PM-EL152-E  
Pole Mount  
Bracket



MA-EL106  
Mount  
Adapter

### Dimensions (mm [inch])



## Technical Specification

### Camera

|                            |   |
|----------------------------|---|
| Image Sensor               | 4K CMOS   |
| Max. Resolution            | 3840 (H) × 2160 (V)   |
| Scanning System            | Progressive   |
| Electronic Shutter Speed   | PAL: 1/25 s–1/100000 s<br>NTSC: 1/30 s–1/100000 s                                       |
| Min. Illumination          | 0.01 lux@F2.0 (Color, 30 IRE)<br>0.001 lux@F2.0 (B/W, 30 IRE)<br>0 lux (Illuminator on) |
| S/N Ratio                  | >65 dB  |
| Illumination Distance      | IR: 20 m (65.62 ft)<br>Warm light: 20 m (65.62 ft)                                      |
| Illuminator On/Off Control | Auto/Manual   |
| Illuminator Number         | 1 (Warm light); 1 (IR light)  |
| Pan/Tilt/Rotation Range    | Pan: 0°–360°<br>Tilt: 0°–78°<br>Rotation: 0°–360°                                       |

### Lens

|                      |   |                     |                       |                      |                     |
|----------------------|---|---------------------|-----------------------|----------------------|---------------------|
| Lens Type            | Fixed-focal   |                     |                       |                      |                     |
| Lens Mount           | M12   |                     |                       |                      |                     |
| Focal Length         | 2.8 mm; 3.6 mm  |                     |                       |                      |                     |
| Max. Aperture        | F2.0  |                     |                       |                      |                     |
| Field of View        | 2.8 mm: H: 106°; V: 56°; D: 125°  |                     |                       |                      |                     |
| Iris Control         | Fixed   |                     |                       |                      |                     |
| Close Focus Distance | 2.8 mm: 1.3 m (4.27 ft)   |                     |                       |                      |                     |
| DORI Distance        | Lens  | Detect              | Observe               | Recognize            | Identify            |
|                      | 2.8 mm  | 88 m<br>(288.71 ft) | 35.2 m<br>(115.49 ft) | 17.6 m<br>(57.74 ft) | 8.8 m<br>(28.87 ft) |
|                      | *DORI (Detect, Observe, Recognize, Identify) is a standard system (EN-62676-4) for defining the ability of a person viewing the video to distinguish persons or objects within a covered area. The numbers in this table do not reflect intelligent function distances. For intelligent function distances, refer to installation and commissioning manual/project design tool. |                     |                       |                      |                     |

### Video

|                  |   |
|------------------|---|
| Video Frame Rate | CVI:<br>PAL: 4K@15 fps; 5M@25 fps; 4M@25 fps; 1080p@25 fps<br>NTSC: 4K@15 fps; 5M@25 fps; 4M@30 fps; 1080p@30 fps<br>AHD:<br>PAL: 4K@15 fps<br>NTSC: 4K@15 fps<br>TVI:<br>PAL: 4K@15 fps<br>NTSC: 4K@15 fps<br>CVBS:<br>PAL: 960H<br>NTSC: 960H |
|------------------|---|

|                   |   |
|-------------------|---|
| Resolution        | 4K (3840 × 2160); 5M (2880 × 1620); 4M (2560 × 1440); 1080p (1920 × 1080); 960H (960 × 576/960 × 480) |
| Day/Night         | Auto(ICR)/Color/B/W   |
| BLC               | BLC; HLC; WDR; HLC-Pro  |
| WDR               | 120 dB  |
| White Balance     | Auto; Area white balance  |
| Gain Control      | Auto/Manual   |
| Noise Reduction   | 3D NR   |
| Illumination Mode | Smart IR&WL; WL Mode; IR Mode   |
| Defog             | Electronic defog  |
| Mirror            | Yes   |
| Privacy Masking   | Off/On (8 areas, rectangle)   |

### Certification

|                |   |
|----------------|---|
| Certifications | CE-LVD: EN 62368-1;<br>CE-EMC: EN 55032; EN 55035;<br>FCC: 47 CFR FCC Part 15, Subpart B;<br>UL: UL62368-1 + CAN/CSA C22.2 No. 62368-1-14 |
|----------------|---|

### Port

|              |  |
|--------------|--|
| Video Output | Video output choices of CVI/TVI/AHD/CVBS by one BNC port |
| Audio Input  | One channel built-in MIC                                 |

### Power

|                   |                            |
|-------------------|----------------------------|
| Power Supply      | 12 VDC ± 30%               |
| Power Consumption | Max 4.2 W (12 VDC, LED on) |

### Environment

|                       |                                      |
|-----------------------|--------------------------------------|
| Operating Temperature | –40 °C to +60 °C (–40 °F to +140 °F) |
| Operating Humidity    | <95% (RH), non-condensing            |
| Storage Temperature   | –40 °C to +60 °C (–40 °F to +140 °F) |
| Storage Humidity      | <95% (RH), non-condensing            |
| Protection            | IP67                                 |
| Anti-corrosion Level  | Low                                  |

### Structure

|                    |  |
|--------------------|--|
| Casing Material    | Metal  |
| Product Dimensions | φ94.0 mm × 85.7 mm (φ3.70" × 3.37")            |
| Net Weight         | 0.33 kg (0.73 lb)                              |
| Gross Weight       | 0.47 kg (1.04 lb)                              |
| Installation       | Wall mount; ceiling mount; vertical pole mount |

