

HDOD-EL8IRZA

8MP 4-in-1 Motorized Dome



System Overview

This camera is a 8MP motorized zoom turret dome security camera with built-in audio. The motorized zoom lens changes your view from a wide 2.7mm down to a narrow 13.5mm zoom. 8MP/4K is available @15fps when using CVI and 5MP@20fps and 4MP@30fps when using CVI, TVI and AHD. With built-in IR the camera can see up to 196 feet in the dark. An IP67 & 4K lightning ratings protect the camera and its housing from the elements.

- 120dB True WDR, 3DNR
- Max. 4K resolution
- CVI/CVBS/AHD/TVI switchable
- Auto focus, 2.7-13.5mm motorized lens
- Built-in mic
- Max. IR length 60m, smart IR
- IP67, 12V \pm 30% DC



Features

HD-over-Coax

HD-over-Coax is a new analog high definition (HD) video standard transmitting over coaxial cable. The technology provides transmission of HD video as well as audio, and two-way control data over long distances. You can implement an HD system using the same coax cables that your existing analog system is running on. HD-over-Coax installs just like analog cameras and gives you up to 1080p High Definition. No fiber, no configuring, and no special training required.

Advanced 3DNR

Have you ever taken a picture or video outside in the dark (without flash)? You've probably noticed that it can sometimes turn out to be very grainy. In technical terms, this is called noise. Noise is any unwanted interference in the signal. The latest form of Digital Noise Reduction is 3D-DNR. It compares every pixel with the pixels surrounding it in addition to every frame with the next. With 3D-DNR, a thorough processing of the image is applied, including the background. This results in a clearer image than traditional DNR and less space is taken on the hard disk drive.

Multi-formats

4-in-1 Security cameras have replaced older analog only surveillance cameras also known as 960H cameras or CCTV cameras. 4-in-1 Security cameras are considered "universal cameras" because they can output three types of HD over Coax video signals (HD-CVI, HD-TVI, AHD) and analog resolution video (CVBS). The ability to easily switch video output from the cameras' BNC connector makes them compatible with all the popular security DVRs.

Wide Dynamic Range (WDR)

When part of an image is extremely dark but another part is so bright you can't see any details, that's dynamic range—the difference in lighting. Cameras with wide dynamic range (WDR) have special software that allows them to balance that lighting for one clear image. This makes them ideal for recording areas like store entrances where the contrast between the sunshine outside and the dim lighting inside can be extremely difficult to record.

Broadcast-quality Audio

Audio information can be a big part of evidence in video surveillance applications. This HDCVI camera supports audio signal transmissions over the coaxial cable. Self-adaptive support for normal coaxial audio and broadcast-quality audio not only simplifies operation, but also results in better audio quality and reduced noise interference.

Protection

This camera's outstanding reliability is unsurpassed due to its rugged design. The camera is protected against water and dust with an IP67 ranking, making it suitable for indoor or outdoor environments. Supporting \pm 30% input voltage tolerance, this camera suits even the most unstable power supply conditions. Its 4KV lightning rating provides protection for the camera and its structure against the effects of lightning.

Technical Specification

Camera

Image Sensor	1/2.7 inch CMOS
Effective Pixels	3840 (H)×2160 (V), 4K
Electronic Shutter Speed	PAL: 1/3s–1/100000s NTSC: 1/4s–1/100000s
Minimum Illumination	0.03Lux/F1.7, 30IRE, 0Lux IR on
IR Distance	Distance up to 60m (196.85ft)
IR On/Off Control	Auto;manual
IR LED Number	2
Pan/Tilt/Rotation Range	Pan: 0°–360° Tilt: 0°–78° Rotation: 0°–360°

Lens

Lens Type	Motorized vari-focal				
Mount Type	φ14				
Focal Length	2.7mm–13.5mm				
Max. Aperture	F1.7				
Angle of View	Horizontal: 105°–33° Vertical: 56°–18° Diagonal: 126°–38°				
Iris Type	Fixed iris				
Auto Focus	Yes				
Close Focus Distance	0.8m (2.62ft)				
	Lens	Detect	Observe	Recognize	Identify
DORI Distance	Wide-angle	90m (295ft)	36m (118ft)	18m (59ft)	9m (30ft)
	Telephoto	264m (866ft)	264m (866ft)	53m (174ft)	26m (85ft)

Video

Video Frame Rate	CVI: 4K@15fps; 5M@20fps; 4M@25fps/30fps; CVBS: PAL/NTSC AHD: 5M@20fps; 4M@25fps/30fps TVI: 5M@20fps; 4M@25fps/30fps
Resolution	4K (3840×2160); 5M (2592×1944); 4M (2560×1440); 960H (960×576/960×480)
Day/Night	Auto switch by ICR
BLC	BLC/HLC/WDR
WDR	120dB/WDR
White Balance	Auto; manual
Gain Control	Auto; manual
Noise Reduction	2D&3D NR
Smart IR	Yes
Electronic Defog	Yes
Digital Zoom	4X
Mirror	Off/On
Privacy Masking	Off/On (8 area, rectangle)

Certifications

Certifications	CE (EN55032, EN55024, EN50130-4) FCC (CFR 47 FCC Part 15 subpartB, ANSI C63.4-2014) UL (UL60950-1+CAN/CSA C22.2 No.60950-1)
----------------	---

Port

Audio Port	One channel built-in mic (-A)
Video Port	Video output choices of CVI/TVI/AHD/CVBS by one BNC port

Power

Power Supply	12V ±30% DC
Power Consumption	Max 7.8W (12V DC, IR on)

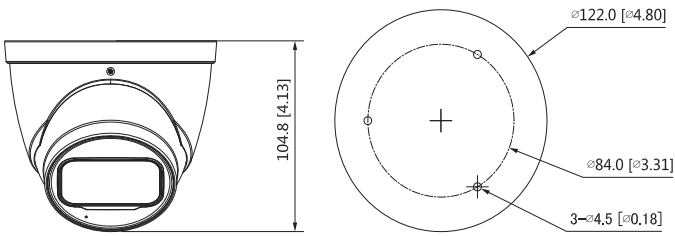
Environment

Operating Temperature	-30°C to +60°C (-22°F to 140°F);<95% (non-condensation)
Storage Temperature	-30°C to +60°C (-22°F to 140°F);<95% (non-condensation)
Protection Grade	IP67

Structure

Casing	Metal throughout the whole casing
Dimensions	Φ122.0mm×104.8mm (Φ4.80"×4.13")
Net Weight	0.58kg (1.28lb)
Gross Weight	0.73kg (1.616lb)

Dimensions (mm/inch)



Accessories

Optional:



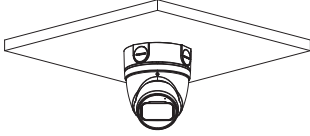
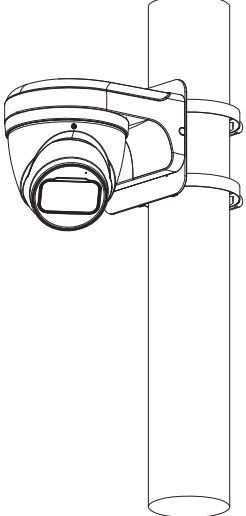
JB-EL130-E
Junction box



WM-EL203W
Wall mount



PM-EL152-E
Pole mount

Junction Mount	Pole Mount
JB-EL130-E	WM-EL203W + PM-EL152-E
	
Wall Mount	
WM-EL203W	
