

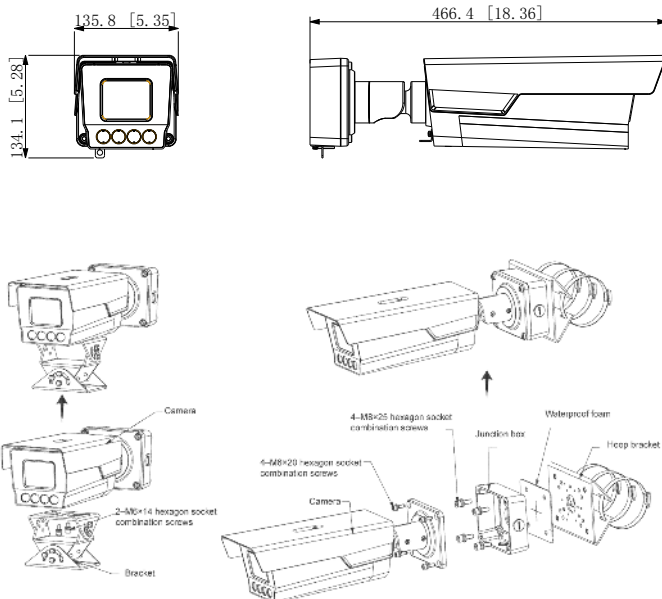
4 MP AI Enforcement Camera

IPLPR-EL4IR30Z5X-AI



- 1/1.8" 4 MP starlight CMOS sensor.
- Video compression standards: H.265, H.264M, H.264H and MJPEG.
- Maximum resolution: 2688 × 1520@25 fps.
- Motorized vari-focal lens: 10 mm-50 mm.
- Max ANPR IR distance: 30 m.
- Protection: IP67, IK10 rated.
- Under recommended installation and lighting conditions:
 - Capture rate > 99%
 - LPR accuracy > 98%

Dimensions (mm[inch])



Technical Specification

Camera

Image Sensor	1/1.8" CMOS
Image Resolution	2688 (H) × 1520 (V) (OSD black background is not calculated in the pixels)
Shutter Mode	Single shutter
Electronic Shutter Speed	Auto/Manual 1/50 s–1/100,000 s
Noise Reduction	3D NR
S/N Ratio	> 56 dB
WDR	140 dB
Min. Illumination	0.0001lux
Day/Night	Supports ICR auto switch: IR cut-off filter (IRCF) with the polarizing filter is used during the daytime, and switches to the IR transmitting filter at night

Illuminator

Illuminator Number	4 illuminators (850 nm LED illuminators, adjustable brightness)
IR Light	Yes
Illumination Distance	23 m–30 m (75.46 ft–98.43 ft) (adjustable brightness)
Lane Coverage	1–2 lanes

Lens

Lens	Motorized vari-focal
Focal Length	10 mm–50 mm
Max. Aperture	Max. F1.33

4 MP AI Enforcement Camera

Field of View	Horizontal: 9.4°–40.8° Vertical: 5.4°–22.9° Diagonal: 10.7°–46.9°
Exposure Mode	Auto; Manual (Select from shutter values or customize shutter range)
Function	
Trigger Mode	Video trigger/Radar trigger
Speed Detection Range	0 km/h–200 km/h
OSD Overlay	Time, address, device SN, lane No., plate number, plate color, vehicle logo, vehicle type, vehicle color, vehicle size, vehicle speed, country/region, event (violation name), and motorcycle attributes (type, number of people, and helmet)
Alarm Event	Storage full; storage error; external alarm; no storage card; license plate blocklist; illegal access; network disconnection; IP conflict
Automatic Network Replenishment (ANR)	Platform and FTP (TF card is required)
Auto Registration	Yes

Intelligence

Target Detection	Motor vehicle; motorcycle
ANPR	Adopts developed algorithms to recognize license plate numbers and letters
Vehicle Type Recognition	Vehicle head: SUV, Large bus, sedan, light truck, pickup, heavy truck, medium truck, van, medium bus, MPV Vehicle tail: SUV, large bus, sedan, light truck, pickup, heavy truck, medium truck, van
Vehicle Color Recognition	White, pink, black, red, yellow, gray, blue, green, dark orange, purple, brown, and silver gray (color recognition is not supported during nighttime)
Accuracy (Under recommended installation and lighting conditions)	Capture rate > 99%; LPR accuracy > 98%
Vehicle Brand/Logo Recognition	Acura; Alfa Romeo; Ashokleyland; Aston Martin; Audi; Baic; Bentley; Benz; BMW; Buick; BYD; Cadillac; Chery; Chevrolet; Chrysler; Citroen; Dacia; Daihatsu; Datsun; Dodge; DS; Ferrari; Fiat; Force; Ford; Foton; Geely; GMC; Greatwall; Hino; Honda; Hyundai; Infiniti; Isuzu; Iveco; Jac; Jaguar; Jeep; Kia; Kinglong; Land; Lexus; Lifan; Lincoln; Mahindra; MAN; Maserati; Mazda; Mercury; MG; Mini; Mitsubishi; Nissan; Opel; Peugeot; Porsche; Renault; Rolls Royce; Saab; Scania; Seat; Skoda; Smart; Subaru; Suzuki; Tata; Tesla; Toyota; UD; Volkswagen; Volvo
Motor Vehicle Violation Capture	Speeding; driving slow; wrong-way driving; illegal lane change
Motorcycle Violation Capture	Captures traffic violations including carrying passenger, not wearing helmet, and wrong-way driving
Traffic Flow Detection	Statistics on vehicle flow, average speed, vehicle type, lane occupancy, average time headway, average queue length, and road status
Traffic Event	Motor vehicle illegal stopping on the roadway; traffic congestion

Video

Video Compression	H.265; H.264M; H.264H; MJPEG
Video Resolution	4M (2688 × 1520); 1080p (1920 × 1080); UXGA (1600 × 1200); 720p (1280 × 720); D1 (704 × 576); CIF (352 × 288)
Video Frame Rate	Max. 25 fps; main stream (2688 × 1520@25 fps), sub stream (1600 × 1200@25 fps)
Video Bit Rate	H.264: 32 kbps–32767 kbps H.265: 32 kbps–32767 kbps MJPEG: 512 kbps–32767 kbps

Bit Rate Control	CBR; VBR
White Balance	Auto; Manual; Outdoor; Natural; Street Lamp; Partial white balance
Edge Enhancement	Yes
HLC	Yes
BLC	Yes
Bad Pixel Correction	Yes
Gain Range	0–100

Image

Composite Image	Supports combining up to 3 source images, and 1 close-up image into a composite image
Image Resolution	2688 (H) × 1520 (V) (OSD black background is not calculated in the pixels)
Image Encoding Format	JPEG
Image Tampering Prevention	Verifies watermarks in videos and images

Network

Network Port	1 × RJ-45 Ethernet port, 10/100/1000 M network transmission
SDK and API	Yes
Security	Authorized username and password, MAC address binding, HTTPS encryption, and network access control
Protocol	IPv4; IPv6; HTTP; TCP; IP; UDP; NTP; DHCP
Interoperability	ONVIF (Profile S/Profile G/Profile T)
Browser	Microsoft Edge IE: IE9–IE11 Chrome: Chrome 41 and earlier Firefox: Firefox 49 and earlier For Win 10 users, run the browser as administrator
Positioning	GPS
Time Synchronization	NTP; GPS

Port

Storage	1, supports maximum 512 GB TF card local storage
RS-485	2, connects to devices such as radars
RS-232	2, con is used for serial debugging and R T G is for connecting to radars
Audio Input	1 channel
Audio output	1 channel
Alarm Input	3 channel
Alarm Output	2 channels. 2 for relay

General

Power Supply	12–36 VDC, PoE
Power Consumption	≤ 13 W
Operating Temperature	–40 °C to +65 °C (–40 °F to +149 °F)
Storage Temperature	–40 °C to +65 °C (–40 °F to +149 °F)
Operating Humidity	10%–90% (RH)
Storage Humidity	0%–90% (RH)

4 MP AI Enforcement Camera

Protection	IP67, IK10, defog
Certifications	CE: E234884-A6183-IT-1/4789603556-1 FCC: 4789603556-2 UL: E234884-A6183-X3
Product Dimensions	466.4 mm × 135.8 mm × 134.1 mm (18.36" × 5.35" × 5.28") (L × W × H)
Net Weight	3.9 kg (8.59 lb)
Gross Weight	4.8 kg (10.58 lb)
Installation	Installs with universal mounting brackets, or as a side-mount with mounting brackets

Accessories

Optional:



PM-EL150
Mounting
bracket
(purchase separately)