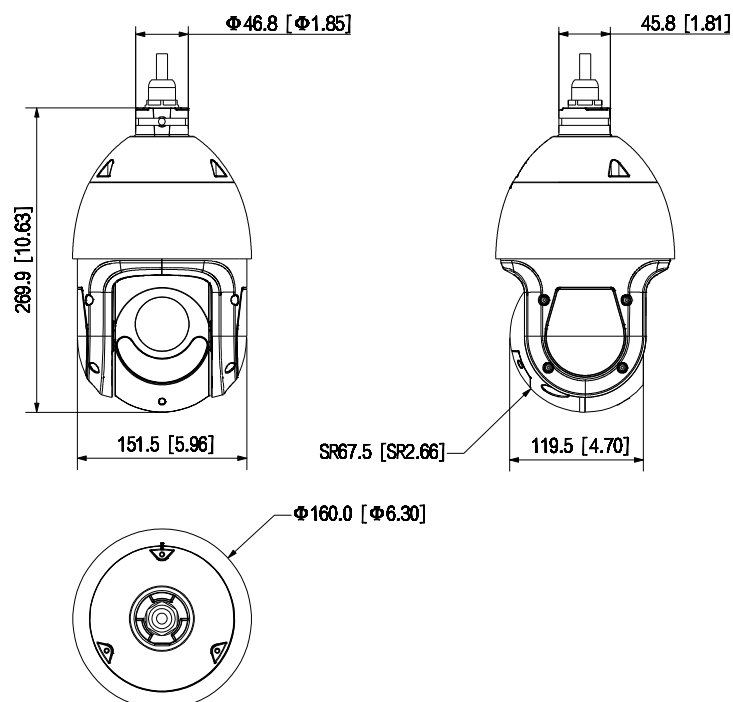




- 1/2.8" 4Megapixel STARVIS™ CMOS.
- 25x optical zoom.
- Starlight technology.
- Max. 25/30fps@4M.
- IR distance up to 100 m.
- Auto-tracking 3.0.
- Perimeter protection.
- Face detection.
- SMD 4.0.
- IP66.
- Full-color illuminator; red and blue warning light.

### Dimensions (mm [inch])



## Technical Specification

### Camera

Image Sensor	1/2.8" CMOS
Pixel	4 MP
Max. Resolution	2560 (H) × 1440 (V)
ROM	4 GB
RAM	1 GB
Electronic Shutter Speed	1/1 s–1/30,000 s
Scanning System	Progressive
Min. Illumination	Color: 0.005 lux@F1.6 B/W: 0.0005 lux@F1.6 0 lux@F1.6 (illuminator on)
Illumination Distance	100 m (328.08 ft) (IR) 50 m (164.04 ft) (White light)
Illuminator On/Off Control	Zoom Prio; Manual; Auto; Off
Illuminator Number	2 (IR) 2 (Dual light fusion)

### Lens

Focal Length	5 mm–125 mm			
Max. Aperture	F1.6–F3.6			
Field of View	H: 51.9°–3.0°; V: 39.7°–2.2°; D: 63.1°–3.7°			
Optical Zoom	25x			
Focus Control	Auto; semi-auto; manual			
Close Focus Distance	0.1 m–0.5 m (0.33 ft–1.64 ft)			
Iris Control	Auto; manual			
DORI Distance	Detect	Observe	Recognize	Identify
	2500 m (8208.10 ft)	987.5 m (3239.83 ft)	500 m (1640.42 ft)	250 m (820.21 ft)

### PTZ

Pan/Tilt Range	Pan: 0° to 360° endless Tilt: –15° to +90°, auto flip 180°
Manual Control Speed	Pan: 0.1°/s–200°/s Tilt: 0.1°/s–120°/s
Preset Speed	Pan: 240°/s; Tilt: 200°/s
Preset	300
Tour	8 (up to 32 presets per tour)
Pattern	5
Scan	5
Power-off Memory	Yes
Idle Motion	Pattern; Preset; Scan; Tour

### Intelligence

IVS (Perimeter Protection)	Tripwire; intrusion; crossing fence detection; loitering detection; abandoned/missing object; fast moving; parking detection; people gathering; vehicle/human alarm classification; linkage tracking
----------------------------	--

### Face Detection

Supports face detection, face bounding box, capturing snapshots, uploading face snapshots, enhancing face images, and selecting a preferred image among a group of snapshots. Attribute Extraction is also supported, where 6 attributes and 8 expressions can be detected. The attributes are gender, age, glasses, mask, mustache and expressions. The expressions are angry, sad, hate, scared, surprised, calm, happy and confused. Face cutout is also offered, where you can cutout one face at a time and customize the size to be a one-inch photo. The supported methods for capturing snapshots are real-time capturing, quality first, and selecting a preferred image among a group of snapshots.

### Auto Tracking

Yes

### SMD

Yes

### Quick Pick

With AI NVR, quickly pick up the human/vehicle targets that users are interested in from SMD events.

### Active Deterrence

Light Warning	Red and blue warning light. They can be configured to flash for 5 to 30 seconds with a high, medium or low frequency.
Sound Warning	Offers 11 types of sound alarms, and supports importing custom sound alarms.

### Video

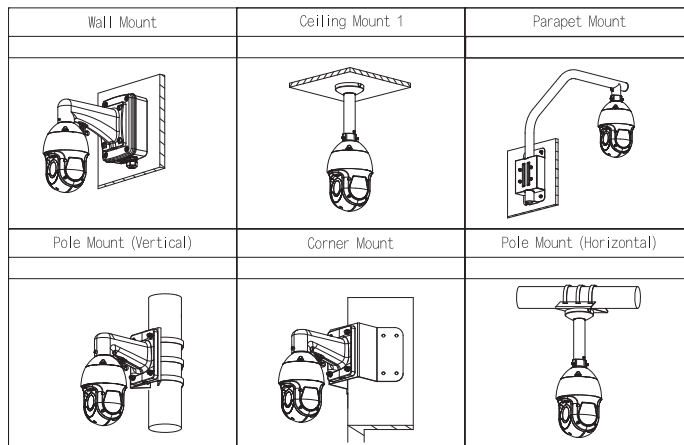
Video Compression	H.264H;H.264B;Smart H.265+;H.265;MJPEG(Sub Stream);Smart H.264+;H.264M
Streaming Capability	3 streams
Resolution	4M (2560 × 1440); 3M (2048 × 1536); 3M (2304 × 1296); 1080p (1920 × 1080); 1.3M (1280 × 960); 720p (1280 × 720); D1 (704 × 576/704 × 480); VGA (640 × 480); CIF (352 × 288/352 × 240)
Video Frame Rate	Main stream: 4M/3M/1080p/1.3M/720p@ (1–25/30 fps) Sub stream 1: D1/CIF/VGA@(1–25/30 fps) Sub stream 2: 1080p/1.3M/720p@(1–25/30 fps)
Bit Rate Control	CBR/VBR
Video Bit Rate	H264: 96 Kbps–14848 Kbps H265: 38 Kbps–8960 Kbps
Day/Night	Auto (ICR)/Color/B/W
BLC	Yes
WDR	120 dB
HLC	Yes
White Balance	Auto/Indoor/Outdoor/Tracking/Manual/Sodium lamp/Natural light/Street lamp
Gain Control	Auto/Manual
Noise Reduction	2D/3D
Motion Detection	Yes
Region of Interest (RoI)	Yes
Image Stabilization	Electronic (EIS)
Defog	Electronic
Digital Zoom	16x
Image Rotation	180°

Privacy Masking	Up to 24 areas can be set, with up to 8 areas in the same view; multiple colors available
S/N Ratio	≥ 55 dB
<b>Audio</b>	
Audio Compression	PCM; G.711a; G.711Mu; G.726; MPEG2-Layer2; G722.1; G729; G723
<b>Network</b>	
Network Port	RJ-45 (10/100 Base-T)
Network Protocol	FTP; RTMP; IPv6; Bonjour; IPv4; DNS; RTCP; PPPoE; NTP; RTP; 802.1x; HTTPS; SNMP; TCP/IP; DDNS; UPnP; NFS; ICMP; UDP; IGMP; HTTP; SSL; DHCP; SMTP; QoS; RTSP; ARP
Interoperability	CGI; SDK; ONVIF (Profile S&G&T); P2P
Streaming Method	Unicast/Multicast
User/Host	20 (total bandwidth: 64 M)
Storage	Micro SD card (512 GB); FTP/SFTP; NAS
Browser	IE 9 and later versions Chrome 41 and later versions Firefox 50 and later versions Safari 10 and later versions
Management Software	DSS pro; DMSS; NVR
Mobile Client	iOS; Android
<b>Certification</b>	
Certifications	CE: EN55032/EN55024/EN50130-4 FCC: Part15 subpartB, ANSI C63.4-2014
<b>Port</b>	
Audio Input	1 channel
Audio Output	1 channel
Alarm Linkage	Capture; recording; send email; preset; pattern; tour; alarm digital input; audio; warning light
Alarm Event	Motion/tampering detection; audio detection; network disconnection detection; IP conflict detection; memory card state detection; memory space detection
Alarm I/O	2/1
Audio I/O	1/1
<b>Power</b>	
Power Supply	12 VDC/3 A ± 10% PoE+ (802.3at)
Power Consumption	Basic: 7.0 W Max.: 13 W (illuminator+heater+PTZ+speaker)
<b>Environment</b>	
Operating Temperature	-40 °C to +65 °C (-40 °F to +149 °F)
Operating Humidity	≤95%
Protection	IP66; TVS 6000 V lightning proof; surge protection; voltage transient protection

## Structure

Product Dimensions	269.9 mm × Φ160.0 mm (10.59" × Φ6.30")
Net Weight	2.6 kg (5.73 lb)
Gross Weight	4 kg (8.82 lb)

## Installation



## Accessories

### Included:



WM-EL305W  
Wall Mount Bracket

### Optional:



MA-EL111  
Mount Adapter



CM-EL300C  
Ceiling Mount  
Bracket



CM-EL151  
Corner Mount  
Bracket



PB-EL303S  
Parapet Mount  
Bracket



PM-EL150  
Pole Mount  
Bracket