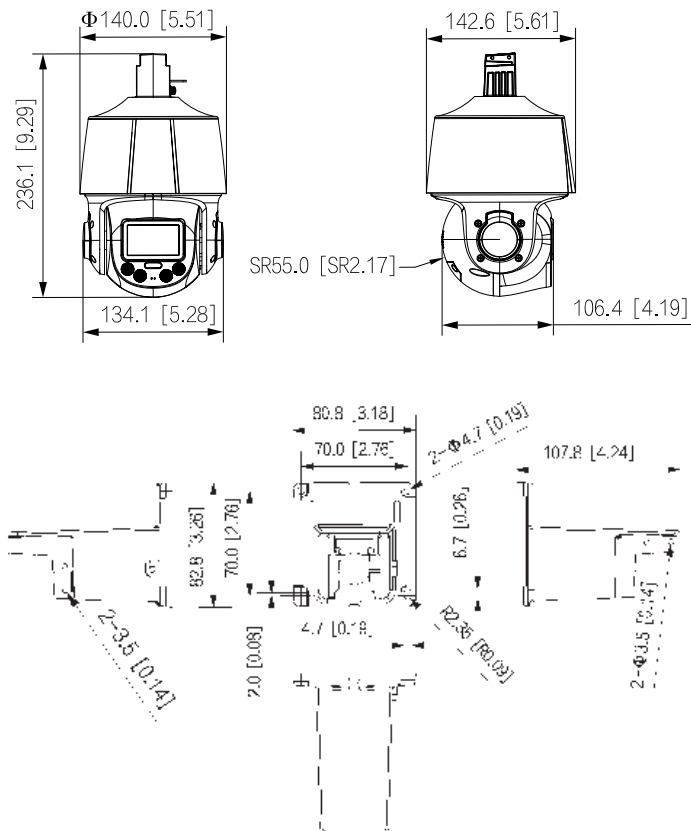




- 1/2.8" 4Megapixel CMOS.
- 5x optical zoom.
- Max. 25/30fps@4M.
- IR distance up to 50 m.
- Warm light illumination distance up to 30 m.
- SMD 3.0.
- Perimeter protection.
- Face detection.
- Alarm: 1 in, 1 out; audio: 1 in, 1 out.
- Built-in Mic and Speaker for Two-way Talk.
- 12 VDC/PoE power supply.
- IP66.
- Sound and light alarm (red and blue lights).

Dimensions (mm[inch])



Technical Specification

Camera

Image Sensor	1/2.8" CMOS
Pixel	4 MP
Max. Resolution	2560 (H) × 1440 (V)
ROM	128 MB
RAM	512 MB
Electronic Shutter Speed	1/1 s–1/30,000 s
Scanning System	Progressive
Min. Illumination	Color: 0.005 lux@F1.6 B/W: 0.0005 lux@F1.6 0 lux (IR light on)
Illumination Distance	50 m (164.04 ft) (IR) 30 m (98.43 ft) (Warm light)
Illuminator On/Off Control	Zoom Prio; Manual; Auto; Off
Illuminator Number	2 (IR) 2 (Warm light) 1 (Red light) 1 (Blue light)

Lens

Focal Length	2.7 mm–13.5 mm			
Max. Aperture	F1.6–F3.0			
Field of View	H: 94.9°–30.1°; V: 51°–17.1°; D: 112.3°–34.6°			
Optical Zoom	5×			
Focus Control	Auto; semi-auto; manual			
Close Focus Distance	1.5 m (4.92 ft)			
Iris Control	Fixed			
DORI Distance	Detect	Observe	Recognize	Identify
	270 m (885.83 ft)	106.6 m (349.74 ft)	54 m (177.17 ft)	27 m (88.58 ft)

PTZ

Pan/Tilt Range	Pan: 0° to 355° Tilt: –15° to +90°
Manual Control Speed	Pan: 0.1°/s–36°/s Tilt: 0.1°/s–25.8°/s
Preset Speed	Pan: 35.7°/s; Tilt: 27.1°/s
Preset	300
Power-off Memory	Yes
Idle Motion	Preset

Intelligence

IVS (Perimeter Protection)	Tripwire; intrusion; crossing fence detection; loitering detection; abandoned/missing object; fast moving; parking detection; people gathering; vehicle/human alarm classification; linkage tracking
----------------------------	--

Face Detection	Supports face detection, snapshot, and face enhancement; Supports face cutout: Face, one-inch photo; Capturing strategies include real-time capturing and quality first.
Auto Tracking Lite	Yes
SMD	Yes

Active Deterrence

Light Warning	Red and blue light warning Flash duration: 5 s–30 s Flash frequency: high, medium, low
Sound Warning	Offers 21 types of sound alarms, and supports importing custom sound alarms. The sound alarm play times can be set between 1 to 10.

Video

Video Compression	H.264H;H.264B;Smart H.265+; H.264;H.265;MJPEG(Sub Stream);Smart H.264+
Streaming Capability	3 streams
Resolution	4M (2560 × 1440); 3M (2304 × 1296); 1080p (1920 × 1080); 1.3M (1280 × 960); 720p(1280 × 720); D1 (704 × 576); VGA (640 × 480); CIF (352 × 288)
Video Frame Rate	Main stream: 4M/3M/1080p/1.3M/720p @(1–25/30 fps) Sub stream 1: D1/CIF/VGA@ (1–25/30 fps) Sub stream 2: 720p @(1–25/30 fps)
Bit Rate Control	CBR/VBR
Video Bit Rate	H.264: 96 kbps–14848 kbps H.265: 38 kbps–8960 kbps
Day/Night	Auto (ICR)/Color/B/W
BLC	Yes
WDR	120 dB
HLC	Yes
White Balance	Auto; indoor; outdoor; tracking; manual; sodium lamp; natural light; street lamp
Gain Control	Auto; manual
Noise Reduction	2D NR; 3D NR
Motion Detection	Yes
Region of Interest (RoI)	Yes
Image Stabilization	Electronic (EIS)
Defog	Electronic
Digital Zoom	16×
Image Rotation	180°
S/N Ratio	≥55 dB

Audio

Audio Compression	G.711a; G.711Mu; G.726; MPEG2-Layer2; G722.1; PCM
Network	
Network Port	RJ-45 (10/100 Base-T)

Network Protocol	FTP;RTMP;IPv6;Bonjour;IPv4;DNS;RTCP;PPPoE;NTP;RT P;802.1x;HTTPS;SNMP;TCP/IP;DDNS;UPnP;NFS;ICMP;UDP;iGMP;SMB;HTTP;SSL;DHCP;SMTP;Qos;RTSP;ARP
Interoperability	CGI;SDK;ONVIF (Profile S&G&T);P2P
Streaming Method	Unicast/Multicast
User/Host	20 (total bandwidth: 64 M)
Storage	FTP/SFTP; Micro SD card (512 GB); NAS
Browser	IE 9 and later versions Chrome 41 and later versions Firefox 50 and later versions Safari 10 and later versions
Management Software	DMSS;DSS Pro
Mobile Client	iOS;Android

Certification

Certifications	CE: EN55032/EN55024/EN50130-4 FCC: Part15 subpartB, ANSI C63.4-2014
----------------	--

Port

Audio Input	1 channel (LINE IN, bare wire,built-in mic (mutually exclusive))
Audio Output	1 channel (LINE OUT,bare wire;built-in speaker (mutually exclusive))
Alarm Linkage	Capture; recording; send email; preset; alarm digital input; audio; warning light
Alarm Event	Motion/tampering detection; audio detection; network disconnection detection; IP conflict detection; memory card state detection; memory space detection
Alarm I/O	1/1
Audio I/O	1/1

Power

Power Supply	12 VDC, 2 A ± 10% PoE+ (802.3at)
Power Consumption	Basic: 4.5 W Max.: 15 W (illuminator + PTZ + speaker + heating glass)

Environment

Operating Temperature	-30 °C to +60 °C (-22 °F to +140 °F)
Operating Humidity	≤95%
Protection	IP66, TVS 6000 V lightning proof; surge protection; voltage transient protection

Structure

Product Dimensions	142.6 mm × 140 mm × 236.1 mm (5.61" × 5.51" × 9.29")
Net Weight	1.5 kg (3.31 lb)
Gross Weight	2.1 kg (4.63 lb)

*The precision of the presets for PTZ cameras might vary depending on different series. For scenes with high requirements on the precision, contact your local sales representative for assistance with selecting the model.

Accessories

Optional:



JB-EL121
Junction Box



PM-EL152-E
Pole Mount Bracket

Wall Mount	Ceiling Mount
/	/
Pole Mount(Vertical)	
JB-EL121 + PM-EL152-E	