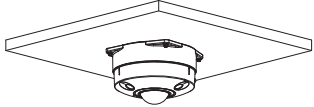
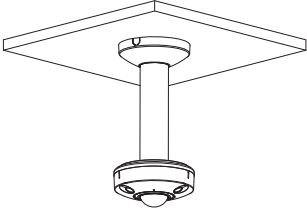
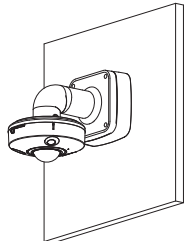


IPVD-EL12FW-AI

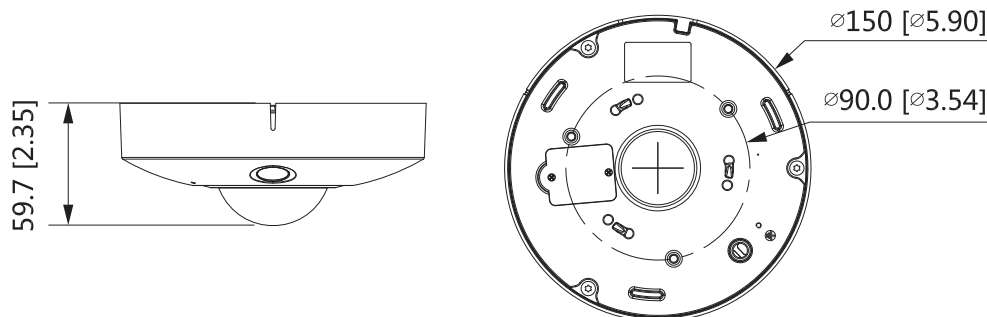
12MP IR Fisheye Network Camera



12MP, 1/1.7" CMOS image sensor
 Max output 12MP (4000x3000)@30fps
 3D NR,AWB,HLC, BLC,ROI, SVC, SMART H.264+/H.265+
 People counting in multiple areas, queuing management in multiple areas, heat map (number of people /time), and track map
 2/2 Alarm in/out, 1/1 audio in/out
 12V DC/POE power support
 IP67, IK10 protection

Junction Box	Ceiling Mount	Wall Mount
PFA132-E	PFB300C+PFA100	PFB302S+PFA100
		

Dimensions (mm/inch)



Technical Specification				
Camera				
Image Sensor	1/1.7"12Megapixel progressive CMOS			
Max. resolution	4000 (H) × 3000 (V)			
ROM	4 GB			
RAM	4 GB			
Illuminator Number	3 (IR LEDs)			
Electronic Shutter Speed	1/3 s-1/100000 s (Auto/Manual)			
Min. Illumination	0.01 Lux@F2.0(Color,30IRE) 0.001Lux@F2.0(B/W,30IRE) 0 lux (Illuminator on)			
Illumination Distance	10 m (32.8 ft)			
Scanning System	Progressive			
Noise Reduction	3D NR			
WDR	DWDR			
S/N Ratio	> 56 dB			
Gain control	Manual			
White Balance	Auto/Natural/street lamp/outdoor/manual/regional Custom			
Lens				
Focal Length	1.85 mm			
Mount Type	M12			
Max. Aperture	F2.0			
Aperture Type	Fixed aperture			
Lens Type	Fixed focal			
Field of View	Horizontal: 185°; Vertical: 180°			
DORI Distance	Detect	Observe	Recognize	Identify
	40.0 m (131.3 ft)	16.0 m (52.6 ft)	8.0 m (26.3 ft)	4.0 m (13.1 ft)
Audio				
Audio Input	1 channel (RCA port),1 build in MIC			
Audio Output	1 channel (RCA port)			
Audio Compression	G.711A, G.711Mu, G726			
Video				
Video Compression	H.265, H.264, H.264H, H.264B, MJPEG (only supported by the sub stream)			
Smart Codec	Smart H.265+/ Smart H.264+			
Video Bit Rate	H264: 88Kbps-16384Kbps ;H265: 52Kbps-16384Kbps			
Video Frame Rate	50Hz Main Stream (4000 × 3000@25fps), sub Stream (704 × 576@25fps), third Stream (704 × 576@25fps) 60Hz Stream (4000 × 3000@30fps), sub Stream (704 × 480@30fps), third Stream (704 × 480@30fps) Fisheye: 1O (4000 × 3000) 1P (4096 × 1024) 2P (2432 × 2432) 1R (1216 × 1216) 2R (2432 × 2432) 4R (2432 × 2432) 1O + 3R (2432 × 2432)			
Resolution	4000 × 3000, 2880 × 2880, 2880 × 2160, 2048 × 1536 (3M), 1280 × 960 (1.3M), (704 × 576/704 × 480) D1, (352 × 288/352 × 240) CIF			
Bit Rate Control	CBR/VBR			
Region of Interest	Yes (4 areas)			
Smart Illumination	Yes (Adjust by user)			
Language	English, Italian, Spanish, Russian, French, German, Portuguese, Polish, Korean, Persian, Czech, Dutch, Arabic, European Spanish			
Alarm				
Alarm Input	2 channels (Wet contact, and it supports max potential 3V-5V)			
Alarm Output	2 channels (Dry contact, and it supports max potential 30V)			
Function				
SD Card	Yes			
Storage	FTP, Micro SD card (256 G)			
Max User	20 (Total bandwidth: 240 M)			
Browser	IE: IE11, IE10, IE9 Google of high version: 48.0.2564.116 Firefox of high version: 48.0.2 Non-plug edge: 42.17134.1.0			
Privacy Masking	4 areas			
Smart event				
IVS Analyze	Intrusion, tripwire			
Heat Map	Yes			
Professional, intelligent				
People Counting	People counting in 4 areas, number of people threshold alarm, 4 queue management, stranding alarm, number of people alarm, number of people heat map, average stranding heat map, track map and export (Report max range is 1 week.)			
Network and port				
Protocol	HTTP, TCP, ARP, RTSP, RTP, UDP, RTCP, SMTP, FTP, DHCP, DNS, DDNS, PPPoE, IPv4/v6, SNMP, QoS, UPnP, NTP			
Cyber Security	Video encryption; firmware encryption; configuration encryption; Digest; WSSE; account lockout; security logs; IP/MAC filtering; generation and importing of X.509 certification; syslog; HTTPS; 802.1x; trusted boot; trusted execution; trusted upgrade			
Interoperability	ONVIF (Profile S/Profile G),CGI			
General				
Power Supply	12V DC /PoE (802.3af)			
Power Consumption	Basic power consumption: 6.2W (12V DC), 9.2W (POE) Max power consumption: (ICR switch, and IR full intensity): 9.2W (12V DC), 12.9W (POE)			
Operating Conditions	-30°C to +45°C (-22°F to +113°F)/Less than 95% RH			
Storage Conditions	-30°C to +70°C (-22°F to +158°F)			
Protection Grade	IP67, IK10			