

Junction Box (Black)

JB-EL137-B



Features

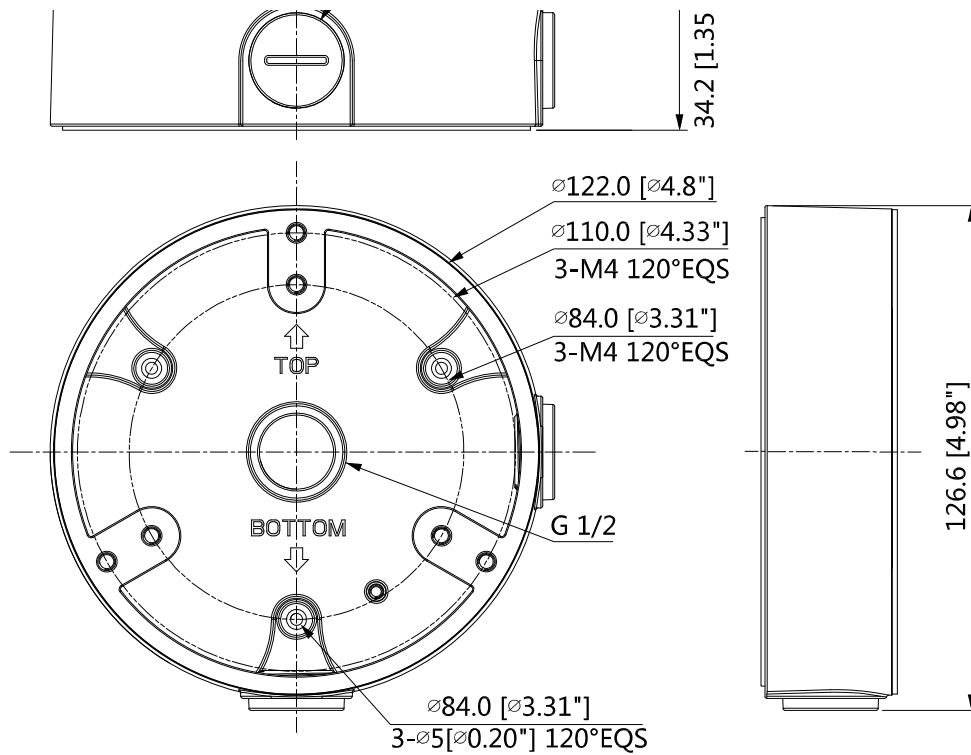
- Aesthetic design
- Material: aluminum
- Junction box

Camera Mount

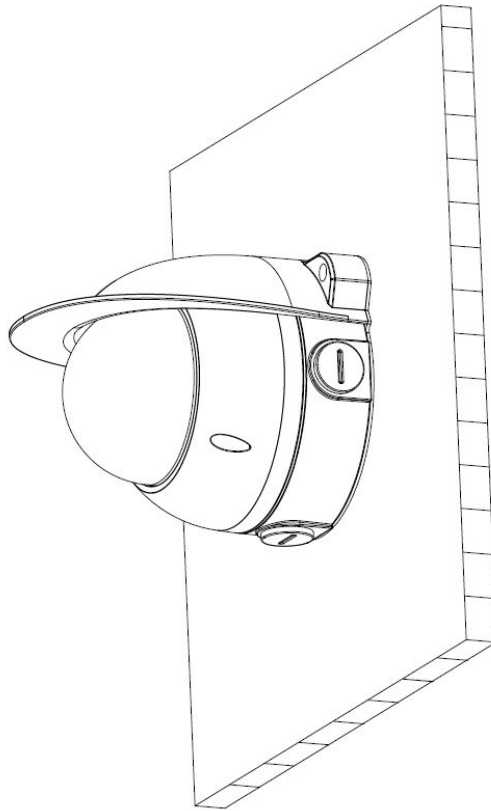
Technical Specifications

General	
Material	Aluminum
Dimension	Φ122.0mmx34.2mm (Φ4.80"x1.35")
Inch Thread	M20(G1/2")
Load Bearing	1.0kg(2.2lb)
Weight	0.24kg(0.53lb)
Color	White
Operating Temperature	-40°C~+60°C(-40°F ~ +140°F)
Humidity	<90% RH
Applicable Model	Please see "Accessory Selection"

Dimensions (mm/inch)



Application



Package Information

- Junction box *1
- M4x12 screw *3
- ST4x25 screw *3
- Plastic anchor: 3
- Water joint *1
- Wrench *1