

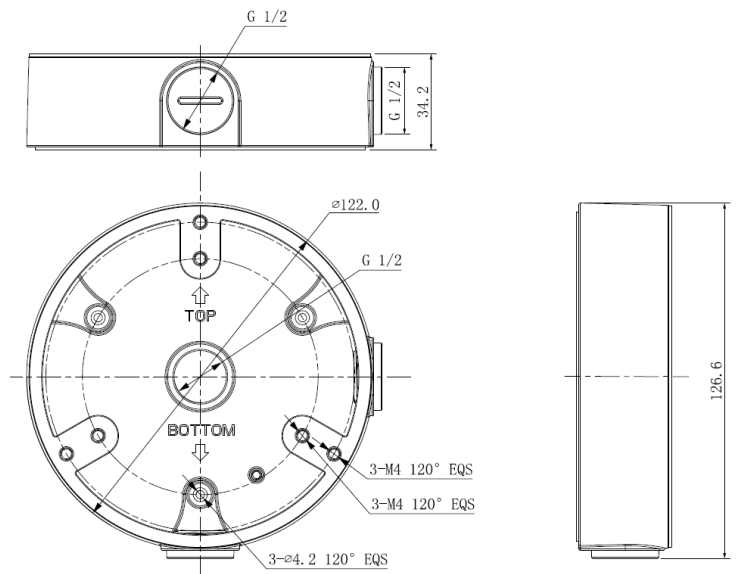
JB-EL137



Features

- Material: Aluminum
- Junction Box
- Neat & Integrated design

Dimensions (mm)



Specifications

Model	>6! 9@% +
General	
Material	Aluminum
Dimension	$\phi 122.0 \times 34.2 \text{mm}$
Inch Thread	M20(G1/2")
Operating Temperature	-40°C ~60°C
Humidity	0~90% RH
Load Bearing	1.0Kg
Weight	0.24Kg
Color	White
Applicable Model	Please see "Accessory Selection"

Application

