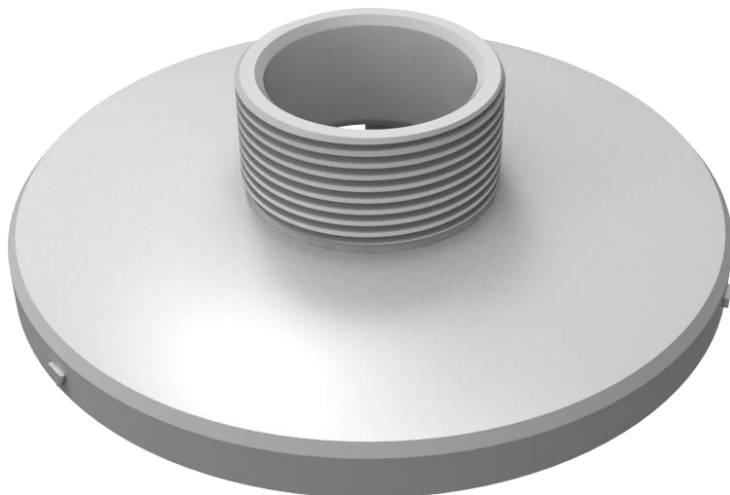


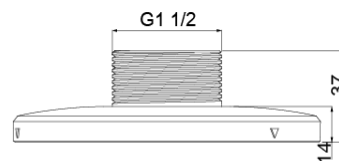
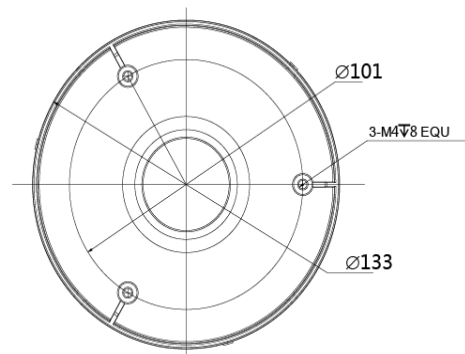
MA-EL103



Features

- Material: Aluminum
- Hanging Mount Adapter
- Neat & Integrated design

Dimensions (mm)



Specifications

Model	MA-EL103
General	
Material	Aluminum
Dimension (W x H x D)	φ133mm x 37mm
Pipe Thread	G1 1/2"
Operating Temperature	-40°C ~60°C
Humidity	0~90% RH
Load Bearing	3.0Kg
Weight	0.13Kg
Applicable Model	Please see "Accessory Selection"

Application

