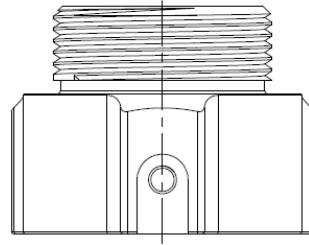


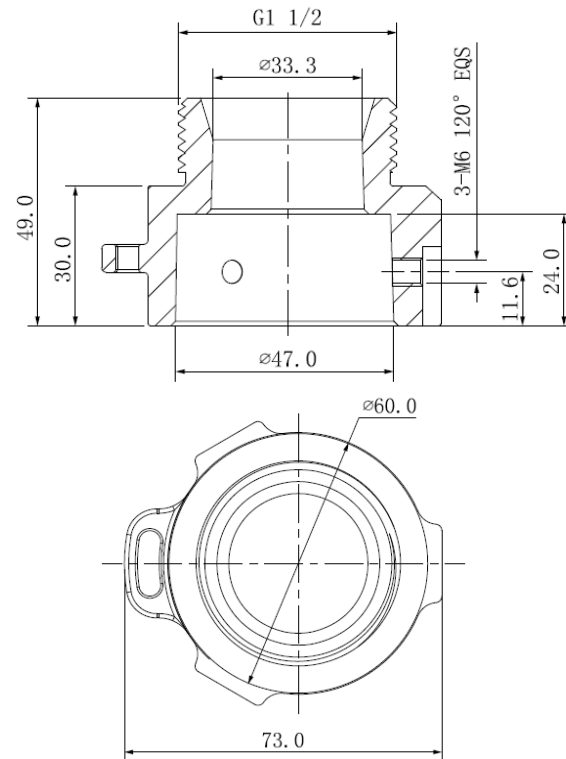
# MA-EL111



## Features

- Material: Aluminum
- Mount Adapter
- Neat & Integrated design

## Dimensions (mm)



## Specifications

<b>Model</b>	MA-EL111
<b>General</b>	
Material	Aluminum
Dimension (W x H x D)	$\Phi 60\text{mm} \times 49\text{mm}$
Pipe Thread	G1 <sub>1/2</sub> "
Operating Temperature	-40°C ~60°C
Humidity	0~90% RH
Load Bearing	7.0Kg
Weight	0.25Kg
Applicable Model	Please see "Accessory Selection"

## Application

