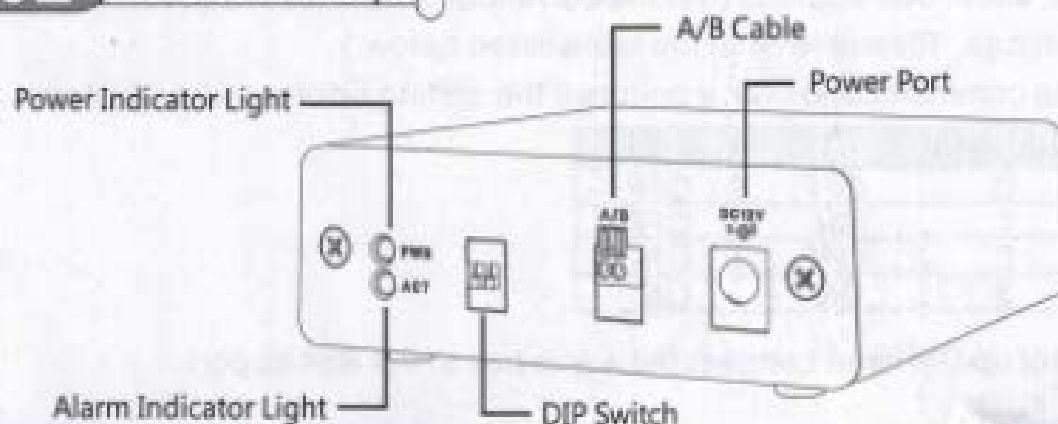


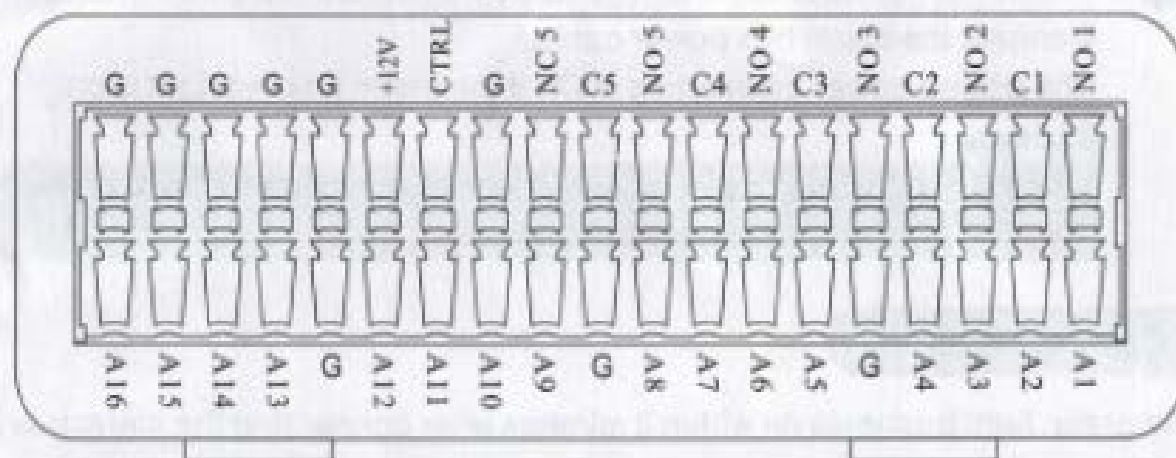
Alarm Box User's Manual

Thank you for using our alarm box. Before the operation, please read this user's manual carefully.

01 Sketch Map



02 Port Definition



Icon	Note
G	GND
+12V	Rated power output. Current :500mA
CTRL 12V	Control the power output of the 6th channel. Current: 500mA. <ul style="list-style-type: none"> • When there is an alarm output, close power output. • When cancel the alarm output, open power output.
NO5 C5 NC5	One group of NO/NC on-off output
NO 1 C1,NO 2 C2, NO 3 C3,NO 4 C4	Four groups of NO activation output (on-off button)
A 1 ~ A 16	Corresponding to alarm input ALARM 1~ALARM 16. The alarm input becomes valid in low voltage.

03 Operations

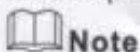
Connection

Step 1 Set alarm box address (Set the corresponding address according to DIP settings. Please refer to the table listed below.)

The communication error occurs if the setting address already exists.

Address	1	2
0	OFF	OFF
1	ON	OFF
2	OFF	ON
3	ON	ON

Step 2 Boot up DVR and connect the alarm box to the RS485 port.



Note

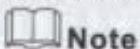
The communication error occurs if the A/B cable connection is wrong.

Step 3 Set alarm box properties.

Step 4 The alarm box address shall the same with the DIP address settings.

Connect the alarm box power cable.

The device power connection is OK if the alarm box red light is on.



Note

Use the 1 to 2 power cable included in the accessories bag to connect alarm box to the DVR to provide power.

Communication

The green light becomes on within 3 minutes after connecting the alarm box to the power. It flashes in each second if the communication is OK

Alarm Input

Enable alarm function.

- When the device type is NO, short-circuit the alarm input with the GND, it can trigger the corresponding alarm actions.
- When the device type is NC, it can auto trigger the corresponding event actions.

Alarm Output

It is the same as the local alarm.