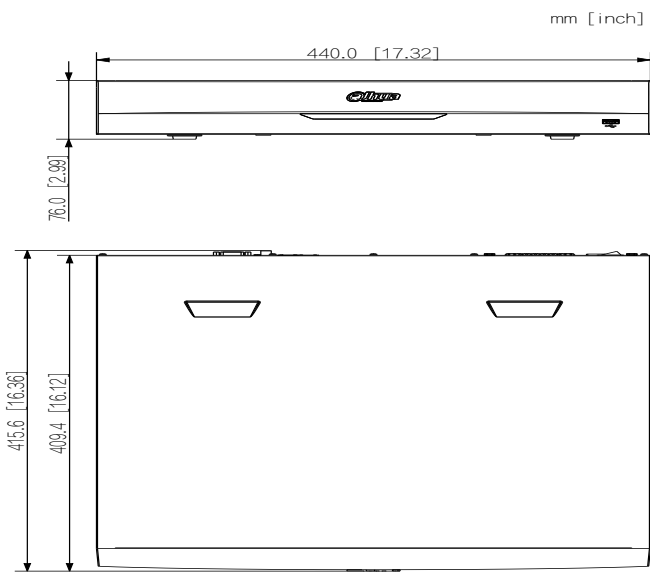


NVR-E16W4N16

16CH 1.5U 4HDDs Network Video Recorder

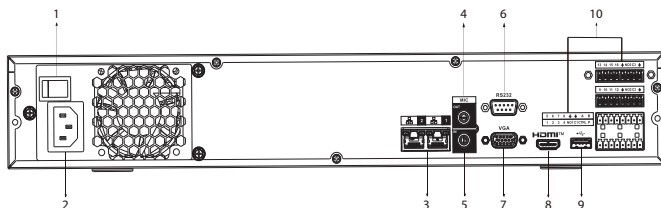


Dimensions (mm[inch])



- Smart H.265+/H.265/Smart H.264+/H.264/MJPEG decoding format.
- Access, storage or forwarding at 256 Mbps (180 Mbps when AI function enabled).
- Max. decoding capability: 16 × 1080p@30 fps. Supports adaptive decoding.
- AI by NVR: 1-channel face detection and recognition; 2-channel perimeter protection; up to 10 face databases and 20,000 face images; 4-channel SMD Plus.
- AI by Camera: Face detection and recognition, perimeter protection; SMD Plus; ANPR; people counting; stereo analysis; heat map.
- Connected to the third-party network cameras.
- Security baseline 2.3.

Panels



- | | |
|-------------------------|--------------------------|
| 1 Power Switch | 2 Power Input |
| 3 Network Ports | 4 MIC OUT, RCA Connector |
| 5 MIC IN, RCA Connector | 6 RS-232 Port |
| 7 VGA Port | 8 HDMI Port |
| 9 USB Port | 10 Alarm In/Out |

Technical Specification

System

Main Processor	Industrial-grade processor
Operating System	Embedded Linux
Operating Interface	Web; Local GUI

AI

AI by Recorder	Face detection; face recognition; perimeter protection; SMD Plus
AI by Camera	Face detection; face recognition; perimeter protection; SMD Plus; ANPR; people counting; stereo analysis; heat map

Perimeter Protection

Perimeter Performance AI by Recorder (Number of Channels)	2 channels, 10 IVS rules for each channel
Perimeter Performance of AI by Camera (Number of Channels)	8 channels

Face Detection

Face Attributes	Gender; age group; glasses; expressions; face mask; beard
Face Detection Performance of AI by Recorder (Number of Channels)	1 channel (up to 12 face images/s each channel)
Face Detection Performance of AI by Camera (Number of Channels)	8 channels

Face Recognition

Face Database Capacity	Up to 10 face databases with 200,00 images, with a total capacity of 2.5 G. Name, gender, birthday, address, credential type, credential No., countries & regions and state can be added to each face image.
Face Recognition Performance of AI by Recorder (Number of Channels)	8-channel FD (by camera) + FR (by recorder), image stream: 12 face images/s 1-channel FD (by recorder) + FR (by recorder), video stream: 12 face images/s
Face Recognition Performance of AI by Camera (Number of Channels)	8 channels

SMD Plus

SMD Plus by Recorder	4 channels: Secondary filtering for human and motor vehicle, reducing false alarms caused by leaves, rain and lighting condition change
SMD Plus by Camera	8 channels

Vehicle License Plate Comparison

ANPR by Camera (Number of Channels)	4 channels
License Plate Database Capacity	1. Create up to 20,000 plate numbers. 2. Blocklist and allowlist

Audio and Video

Access Channel	16 channels
----------------	-------------

Network Bandwidth	AI disabled: 256 Mbps incoming, 256 Mbps recording and 256 Mbps outgoing AI enabled: 180 Mbps incoming, 180 Mbps recording and 180 Mbps outgoing
Resolution	16 MP; 12 MP; 8 MP; 6 MP; 5 MP; 4 MP; 3 MP; 1080p; 960p; 720p; D1; CIF
Decoding Capability	AI disabled: 2-channel 16 MP@30 fps; 2-channel 12 MP@30 fps; 4-channel 8 MP@30 fps; 6-channel 5 MP@30 fps; 8-channel 4 MP@30 fps; 16-channel 1080p@30 fps AI enabled: 1-channel 16 MP@30 fps; 2-channel 12 MP@30 fps; 3-channel 8 MP@30 fps; 4-channel 5 MP@30 fps; 6-channel 4 MP@30 fps; 12-channel 1080p@30 fps
Video Output	1 HDMI, 1 VGA HDMI: 3840 × 2160, 1920 × 1080, 1280 × 1024, 1280 × 720 VGA: 1920 × 1080, 1280 × 1024, 1280 × 720 *Simultaneous/heterogeneous video sources output for VGA and HDMI is configurable.
Multi-screen Display	1st Screen: 1/4/8/9/16 2nd Screen: 1/4/8/9/16
Third-party Camera Access	Panasonic, Sony, Samsung, Axis, Pelco, Arecont, ONVIF, Canon

Compression Standard

Video Compression	Smart H.265+; H.265; Smart H.264+; H.264; MJPEG
Audio Compression	G.711a; G.711u; PCM; G.726

Network

Network Protocol	HTTP; HTTPS; TCP/IP; IPv4/IPv6; UPnP; SNMP; UDP; SMTP; NTP; DHCP; DNS; IP Filter; PPPoE; DDNS; FTP; Alarm Server; IP Search (Support IP camera; DVR; NVS; etc.); P2P; auto register
Mobile Phone Access	iOS; Android
Interoperability	ONVIF 22.06(Profile T; Profile S; Profile G); CGI; SDK
Browser	Chrome; IE9 and later; Firefox

Recording Playback

Multi-channel Playback	Up to 16 channels
Record Mode	General, motion detection; intelligent; alarm
Backup Method	USB device and network
Playback Mode	Instant playback, general playback, event playback, tag playback, smart playback

Storage

Disk Group	Yes
------------	-----

Alarm

General Alarm	Motion detection; privacy masking; video loss; scene changing; PIR alarm; IPC external alarm
Anomaly Alarm	Camera disconnection; storage error; disk full; IP conflict; MAC conflict; login locked; and cybersecurity exception
Intelligent Alarm	Face detection; face recognition; perimeter protection; SMD Plus; people counting; stereo analysis; heat map
Alarm Linkage	Record; snapshot; IPC external alarm output; audio; buzzer; log; preset; email

Port

Audio Input	1-channel RCA
-------------	---------------

Audio Output	1-channel RCA
Alarm Input	16 channels
Alarm Output	4 channels
HDD Interface	4 SATA ports, up to 16 TB.The maximum HDD capacity varies with environment temperature.
RS-232	1
RS-485	1
USB	2 (1 front USB 2.0 port, 1 rear USB 3.0 port)
HDMI	1
VGA	1
Network Port	2 (10/100/1000 Mbps Ethernet port, RJ-45)

General

Power Supply	100–240 VAC, 50-60Hz
Power Consumption	<10 W(without HDD)
Net Weight	4.25 kg (10.63 lb)
Gross Weight	6.35 kg (14.00 lb)
Product Dimensions	440.0 mm × 415.6 mm × 76.0 mm (17.32" × 16.36" × 2.99") (W × D × H)
Packaging Dimensions	529.0 mm × 499.0 mm × 211.0 mm (20.83" × 19.65" × 8.31") (W × D × H)
Operating Temperature	–10 °C to +55 °C (14 °F to +131 °F)
Storage Temperature	–20 °C to +60 °C (–4 °F to +140 °F)
Operating Humidity	10%–93% (RH)
Installation	Rack or desktop
Certifications	FCC: 47 CFR FCC Part15, SubpartB, Class A CE-EMC: EN 55032: 2015+A1: 2020; EN IEC 61000-3-2: 2019+A1: 2021; EN 61000-3-3: 2013+A1: 2019+A2: 2021; EN 55035: 2017+A11: 2020; EN 50130-4: 2011+A1: 2014 CE-LVD: EN 62368-1: 2014