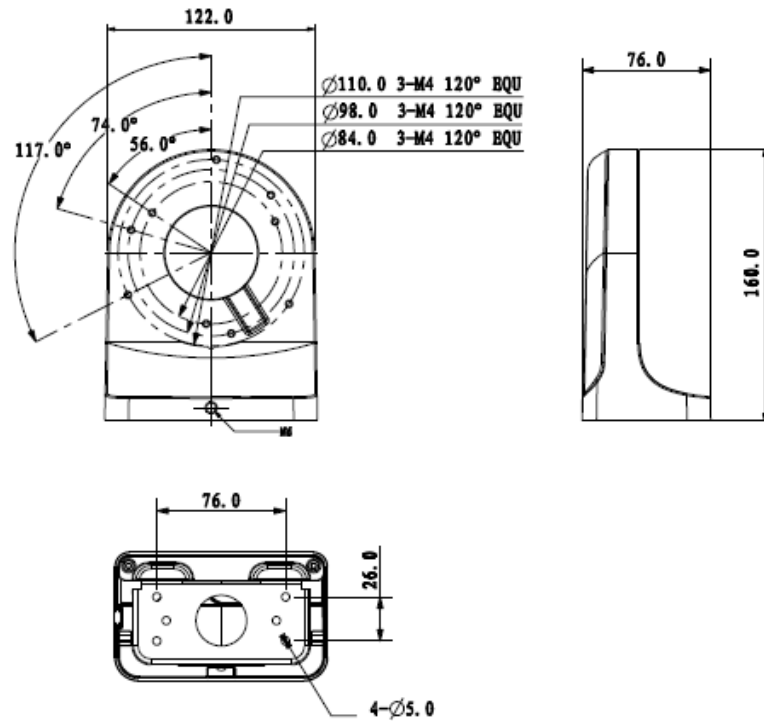


WM-EL203W

Features

- Material: Aluminum
- Wall Mount Bracket
- Neat & Integrated design

Dimensions (mm)



Specifications

| | |
|-----------------------|-----------------------------------|
| Model | WM-EL203W |
| General | |
| Material | Aluminum |
| Dimension (L x W x H) | 160mm x 122mm x 76mm |
| Operating Temperature | -40°C~60°C |
| Humidity | 0~90% RH |
| Load Bearing | 1.0Kg |
| Weight | 0.50Kg |
| Color | White |
| Applicable Model | Please see "Accessory Selection " |

Application

