

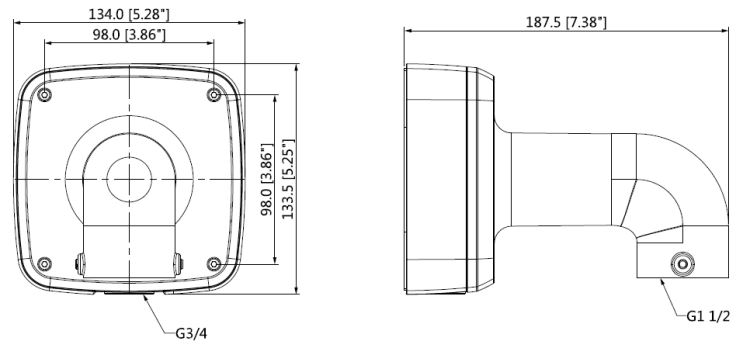
WM-EL302S

Features

- Material: Aluminum
- Wall mount bracket with IP66 junction box
- Neat & Integrated design

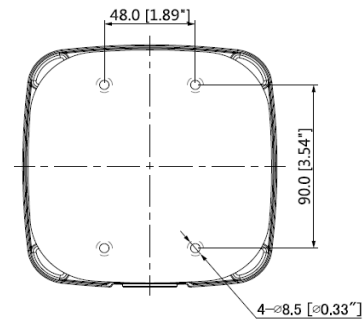


Dimensions (mm/inch)



Technical Specifications

Model	WM-EL302S
General	
Material	Aluminum
Dimension (W x H x D)	134.0mmx133.5mmx187.5 mm (5.28"x5.25."x7.38")
Pipe thread	G3/4"
Weight	0.7kg(1.54lb)
Load bearing	4.0kg(8.82 lb)
Color	White
Protection	IP66
Operating temperature	-40°C ~60°C (-40 ~140)
Humidity	0~90% RH
Applicable model	Please see "Accessory Selection"



Application

