

# WM-EL303W

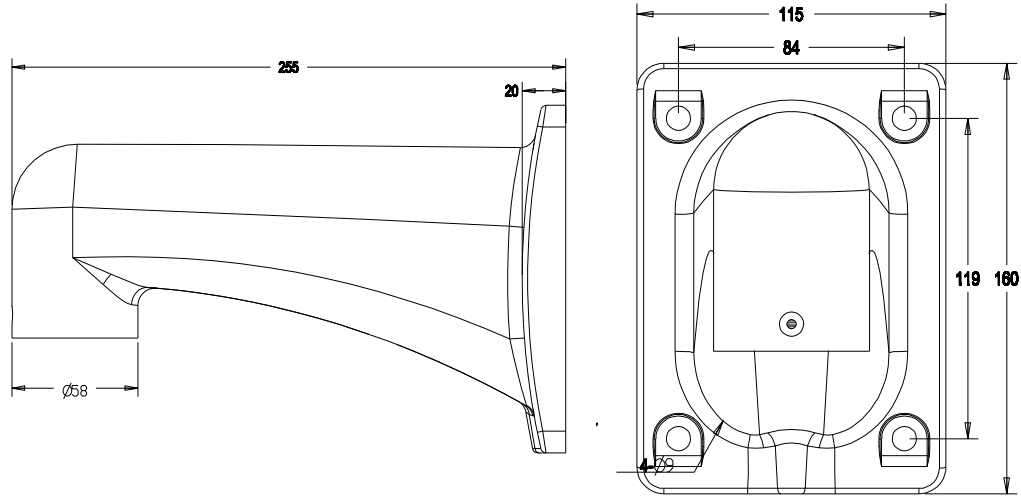
## Wall Mount Bracket



### Features

- Material: Aluminum
- Wall Mount Bracket
- Neat & Integrated design

### Dimensions (mm)



### Specifications

<b>Model</b>	<b>K A !9@303W</b>
<b>General</b>	
Material	Aluminum
Dimension (W x H x D)	115mm x 160mm x 255mm
Pipe Thread	G1 1/2"
Operating Temperature	-40°C ~65°C
Humidity	0~90% RH
Load Bearing	7.0Kg
Weight	0.66Kg

### Application

